

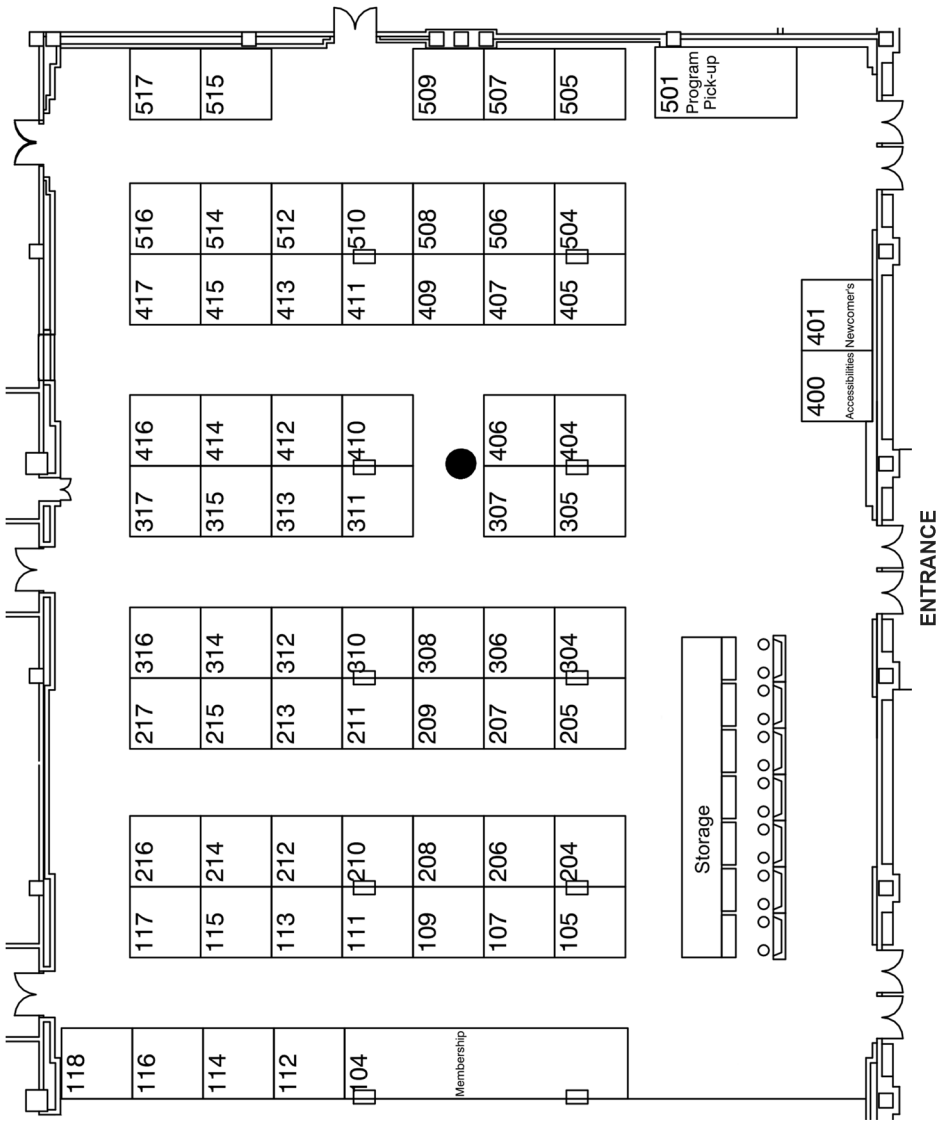
## 2015 EXHIBITORS

### COMPANY NAME

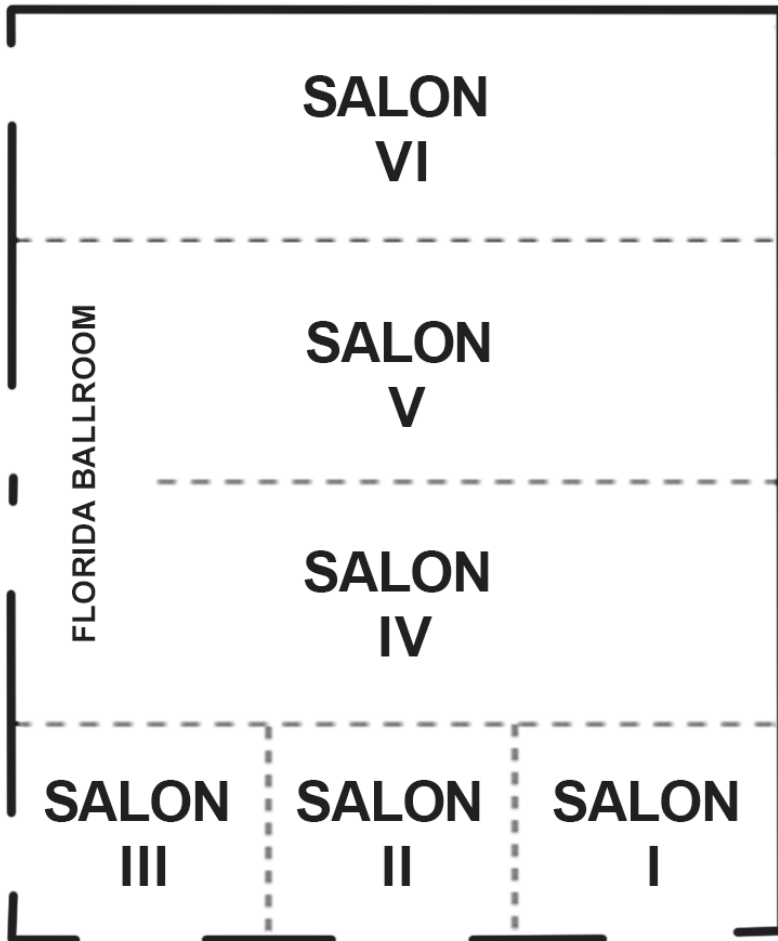
### BOOTH NUMBERS

Arch Press	216
Bedford/St. Martin's	304-316
Broadview Press	213
Cengage Learning	405, 407 & 504, 506
Fountainhead Press	105 & 107
Hackett Publishing Company	211
HarperCollins Publishers	208
Hayden-McNeil	315
Inside Higher Ed	509
Kendall Hunt Publishing, Co.	505
Hawkes Learning	413
McGraw-Hill Education	311 & 313
Macmillan	317
Merriam-Webster	109
Modern Language Association	414
NYU School of Professional Studies	206
Oxford University Press	512
Parlor Press	410 & 412
Pearson	305, 307 & 404, 406
Penguin Random House	212
Rhetoric and Composition Journal Editors	415
Routledge	409
Southern Illinois University Press	508
Twenty Six Design LLC 210TYCA	112
University of Pittsburgh Press	204
Utah State University Press	411
Vizi Courseware	507
W. W. Norton & Company	205, 207 & 209

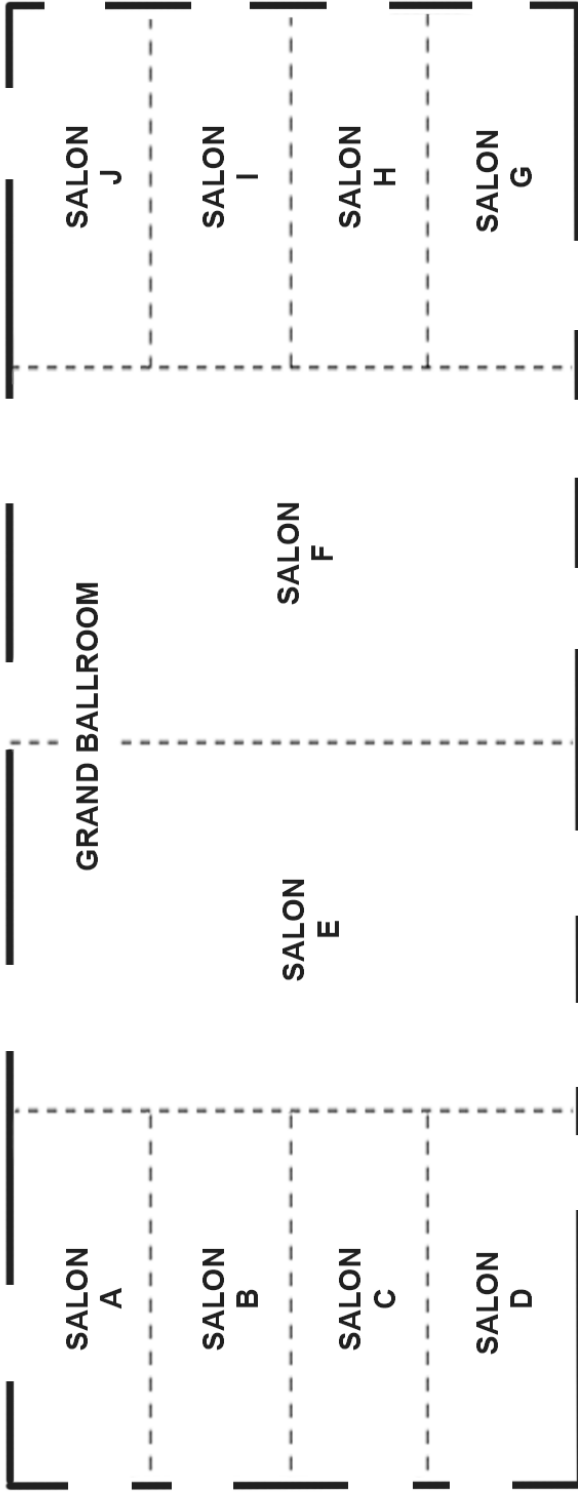
# EXHIBIT HALL



# Marriott BANQUET LEVEL

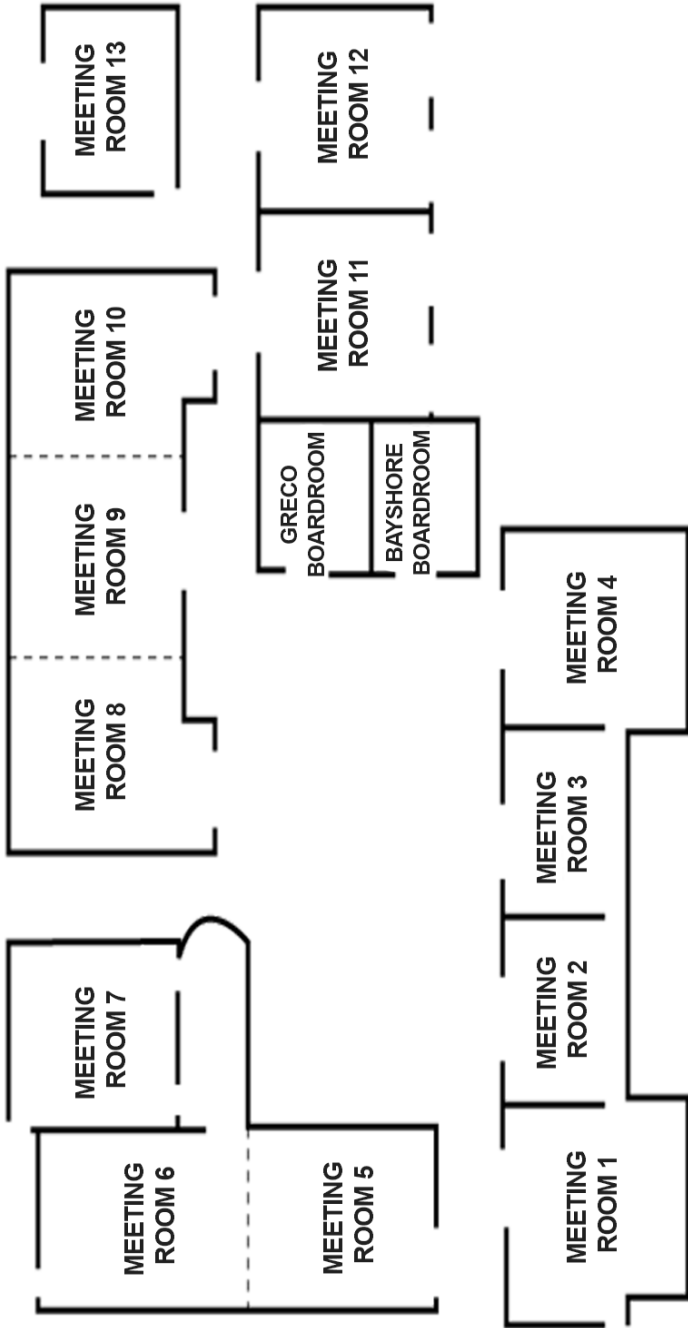


# Marriott



GRAND BALLROOM PRE-FUNCTION LOBBY

# Marriott THIRD LEVEL



# Tampa Convention Center

## First Floor Meeting Space

